

L Series - 15 GPM

A.Y. McDonald offers a full line of stainless steel submersible pumps built for years of trouble free operation, with high-efficiency impellers and diffusers. These submersibles offer peak capacity performance in 5, 7, 10, 15, 20, and 25 gallons per minute (GPM). Other features include stainless steel discharge head with a built-in check valve, and stainless steel shaft and coupling.

All L Series Stainless Steel Pumps come with a 1 1/4" discharge and sizes range from 1/3 to 5 horse power (HP). Two wire models up to 1 1/2 and three wire models up to 5 horse power (HP).

Two Wire Single Phase

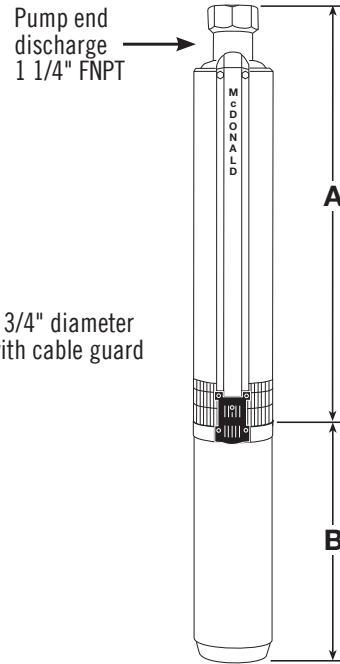
Model No.	HP	Stages	Volt	A	B	WT.
23030L2A*	1/3	5	115	12.02"	9.53"	24
23030L2*	1/3	5	230	12.02"	9.53"	24
23050L2A	1/2	6	115	13.09"	9.53"	24
23050L2	1/2	6	230	13.09"	9.53"	24
23075L2	3/4	8	230	15.25"	10.66"	28
23100L2	1	10	230	17.39"	11.75"	32
23150L2	1 1/2	13	230	20.61"	15.12"	40

Three Wire** Single Phase

Model No.	HP	Stages	Volt	A	B	WT.
23030L3A*	1/3	5	115	12.02"	9.53"	24
23030L3*	1/3	5	230	12.02"	9.53"	24
23050L3A	1/2	6	115	13.09"	9.53"	24
23050L3	1/2	6	230	13.09"	9.53"	24
23075L3	3/4	8	230	15.25"	10.66"	28
23100L3	1	10	230	17.39"	11.75"	32
23150L3	1 1/2	13	230	20.61"	13.62"	37
23200L3	2	17	230	24.91"	15.12"	44
23300L3	3	23	230	32.73"	19.06"	58
23500L3	5	35	230	45.60"	29.62"	85

Three Wire** Three Phase

Model No.	HP	Stages	Volt	A	B	WT.
23150L3Z	1 1/2	13	230	20.61"	11.75"	34
23200L3Z	2	17	230	24.91"	13.62"	41
23300L3Z	3	23	230	32.73"	16.04"	51
23500L3Z	5	35	230	45.60"	23.62"	72



4" Stainless Steel Pump Ends

Model No.	HP	WT.
23030L	1/3	7
23050L	1/2	7
23075L	3/4	8
23100L	1	9
23150L	1 1/2	10
23200L	2	12
23300L	3	15
23500L	5	22

* All one-third horsepower pumps are furnished with one-half horsepower motors (and control boxes where applicable).

** All three wire pumps are available in three phase by selecting pump end and appropriate motor and starter kit (see pages 108-118).

Output - in Gallons Per Minute (Depth to Water)

1/3 HP	PSI	25'	50'	75'	100'	125'
	0	27.82	24.66	21.05	16.70	10.79
30	17.79	12.38				
40	12.86	2.69				
50	4.29					

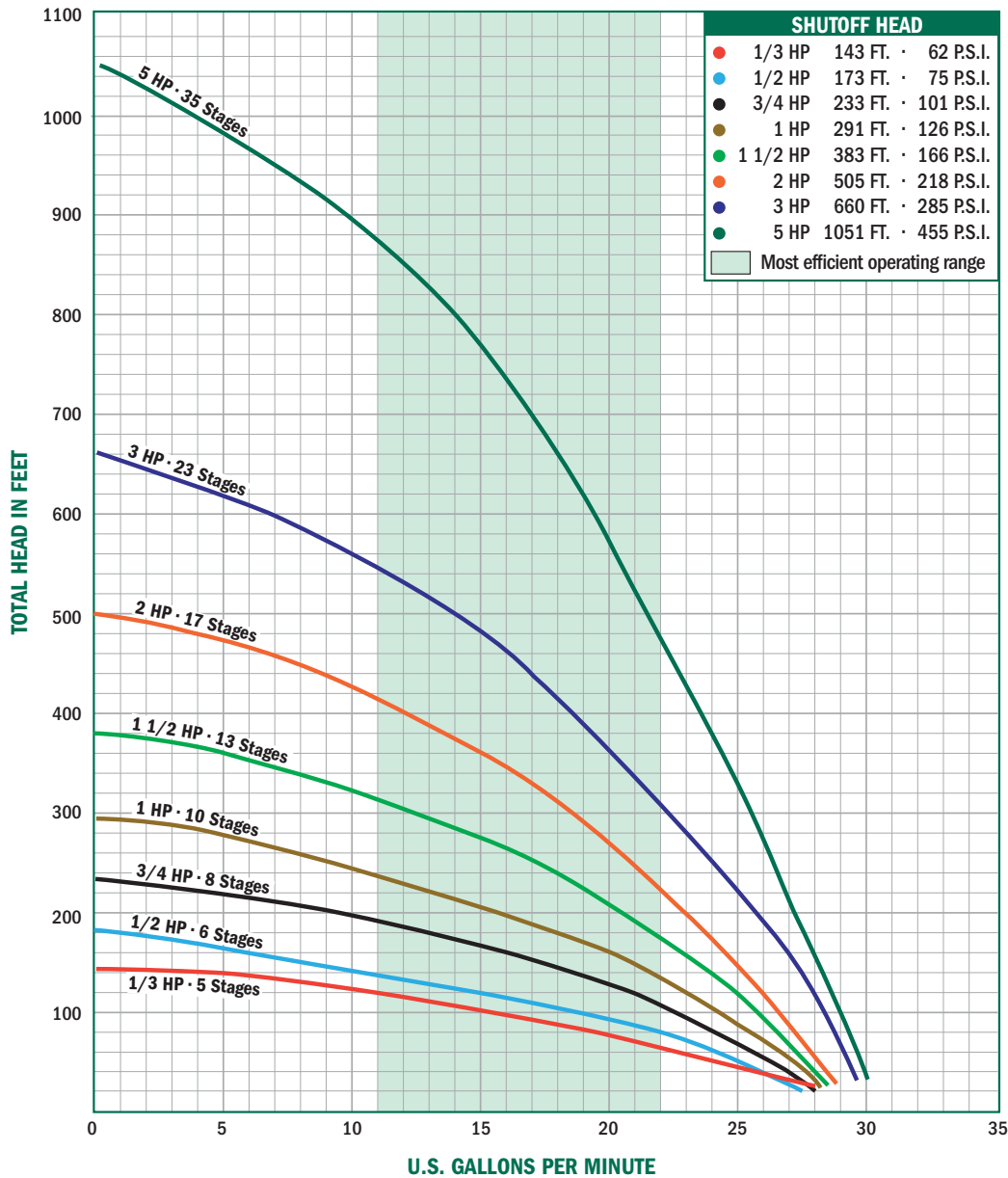
1/2 HP	PSI	25'	50'	75'	100'	125'	150'
	0	28.28	25.58	22.58	19.18	15.14	9.84
30	20.00	16.14	11.23	2.99			
40	16.46	11.66	3.99				
50	12.08	4.85					
60	5.63						

3/4 HP	PSI	25'	50'	75'	100'	125'	150'	175'	200'	225'
	0	28.58	26.69	24.66	22.46	20.05	17.33	14.17	10.21	4.08
30	22.98	20.62	17.98	14.94	11.22	5.91				
40	20.81	18.19	15.19	11.54	6.43					
50	18.40	15.44	11.85	6.92						
60	15.68	12.15	7.38							

1 HP	PSI	25'	50'	75'	100'	125'	150'	175'	200'	225'	250'	300'
	0	28.92	27.42	25.84	24.16	22.37	20.44	18.33	15.97	13.26	9.96	5.33
30	24.55	22.79	20.89	18.83	16.53	13.92	10.78	6.60				
40	22.93	21.04	18.99	16.72	14.13	11.05	6.99					
50	21.19	19.15	16.90	14.34	11.31	7.36						
60	19.31	17.08	14.55	11.56	7.71	0.50						

FRICITION LOSSES IN RISER PIPE HAVE NOT BEEN CALCULATED

L Series - 15 GPM



Submersible Pumps

1 1/2 HP	PSI	50'	100'	150'	200'	250'	300'	350'
	0	28.02	25.72	23.20	20.39	17.15	13.20	7.62
	30	24.78	22.16	19.20	15.74	11.35	4.06	
	40	23.60	20.84	17.68	13.87	8.68		
	50	22.37	19.44	16.03	11.73	4.93		
	60	21.06	17.94	14.19	9.16			

2 HP	PSI	50'	100'	150'	200'	250'	300'	350'	400'	450'	500'
	0	28.57	26.81	24.93	22.92	20.74	18.34	15.61	12.40	8.28	0.77
	30	26.10	24.18	22.11	19.84	17.33	14.44	10.96	6.18		
	40	25.23	23.24	21.09	18.72	16.05	12.93	9.00	2.66		
	50	24.33	22.27	20.02	17.53	14.68	11.25	6.63			
	60	23.40	21.26	18.91	16.27	13.19	9.34	3.38			

3 HP	PSI	50'	100'	150'	200'	250'	300'	350'	400'	450'	500'	550'	600'	650'
	0	29.55	28.24	26.88	25.45	23.93	22.33	20.60	18.73	16.67	14.34	11.60	8.12	2.19
	30	27.72	26.34	24.87	23.33	21.67	19.90	17.96	15.80	13.34	10.38	6.38		
	40	27.09	25.67	24.17	22.58	20.87	19.02	16.99	14.71	12.05	8.72	3.56		
	50	26.44	24.99	23.45	21.80	20.04	18.11	15.98	13.54	10.63	6.75			
	60	25.78	24.29	22.70	21.01	19.17	17.16	14.90	12.27	9.01	4.12			

FRICITION LOSSES IN RISER PIPE HAVE NOT BEEN CALCULATED

5 HP	PSI	50'	100'	150'	200'	250'	300'	350'	400'	450'	500'	550'	600'	650'	700'	750'	800'	850'	900'	950'	1000'
	0	29.70	28.91	28.10	27.27	26.42	25.54	24.62	23.68	22.69	21.67	20.59	19.47	18.27	17.00	15.63	14.14	12.49	10.61	8.38	5.43
	30	28.60	27.79	26.95	26.08	25.19	24.26	23.30	22.30	21.26	20.17	19.01	17.79	16.48	15.07	13.53	11.80	9.80	7.36	3.85	
	40	28.23	27.40	26.55	25.67	24.76	23.82	22.85	21.83	20.76	19.64	18.46	17.20	15.85	14.38	12.75	10.92	8.75	5.95	2.69	
	50	27.85	27.01	26.15	25.26	24.33	23.38	22.38	21.34	20.25	19.10	17.89	16.59	15.18	13.65	11.94	9.97	7.57	4.20		
	60	27.47	26.62	25.74	24.83	23.90	22.92	21.91	20.84	19.73	18.55	17.30	15.95	14.49	12.88	11.07	8.93	6.20	1.48		